

Premium Vet TS

The premium choice in veterinary specific x-ray.

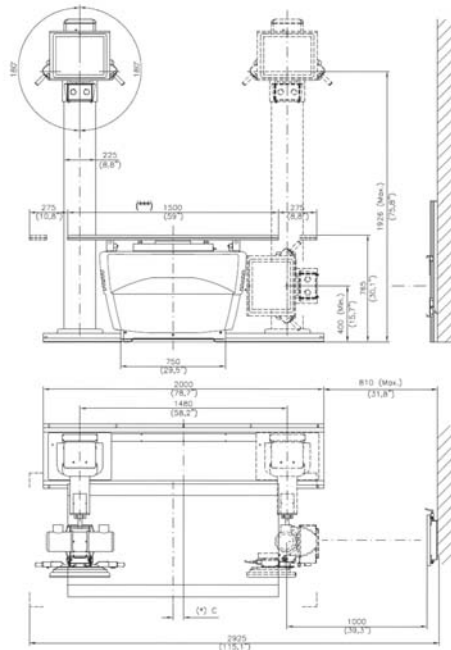
All the features of the Standard Vet plus Horizontal Beam/Cross Table and Off Table Imaging

- 15" Touch Screen Console with:
 - Anatomical Program Radiography (APR)
 - Heads up mounting
 - Patient Log files, eliminates hand paper logs
- 32kW/400mA Compact HF Generator
- Hands Free Collimator light control
- Variable SID for table top and cassette tray imaging
- Rotating Tube Head and collimator
- X-ray tube Rotor Brake
- 4 Way Float Top Table - 5ft Standard
- 208/230/240 VAC Single Phase



**SIMPLE
DEPENDABLE
SMART**

Premium Vet TS System Dimensions



Standard X-ray tube:

1.0/2.0 Focal Spots
16° Target Angle
140,000 HU

Standard Grid Cabinet:

8:1 103 line pair Grid
Stainless Steel cassette tray

Other Options Available:

Custom (38" to 72") length table top
Fractional Focal Spot X-ray tubes
Non-certified medical collimator
3 phase and Battery Powered Generators

Upgrade the Premium Vet TS to Digital

The 15" Touch Screen console will be upgraded to the 17" Single Touch II Integrated Generator console.

You pick the detector that best fits your need and budget:

Vivix 14 x 17 or 17 x 17 Tethered or Wireless
Canon 501G or 501C

The Vet-Ray Digital Upgrade system also includes:

- Acquisition computer and wall mount
- 2mp high resolution 24" monitor
- QXLink PACS and PACS workstation with PC and 24" monitor
- 10 viewing licenses
- 5 years warranty on parts and labor on PC
- 5 year warranty on Vivix digital detector, 2yrs on Canon

All the specific X-ray System Power Requirements and rooms sizes can be found on our Pre-Install Checklist. Please download a copy from www.veurray.com

Exclusive
Premium Vet
Wall Stand



RAYTECHDIAGNOSTICS
<https://www.raytechdiagnostics.com>
sales@raytechdiagnostics.com
613-799-4171