

ClearVision DR 9000F

User Friendly Portable Equine DR



- ▶ Quality Images in Seconds
- ▶ Improved Workflow
- ▶ Eliminate Costly Consumables
- ▶ Easy Image Sending for Reference

JPI can help your clinic go Digital!

SPECIFICATION

Image Receptor

Features

- Flat Panel Detector
- TFT- amorphous silicon(a-Si)
- Excellent image quality and reliability
- Optimized algorithms for every body part
- Fully compatible with DICOM3.0 standard

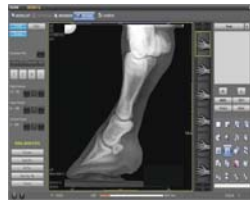
Technical Specifications

- Active image size : 10 "x12 "(264mm x 325mm)
- Image pixels : 2080 x 2560
- Bit depth : 14 bits
- Pixel Pitch : 127 microns
- Spatial resolution : 3.9 lp/mm
- Image acquisition time: less than 7 seconds
- Input power : 100-240VAC, 50/60Hz
- Weight : Approx. 3.4kg /7.5lbs



Software

- Fully compatible with DICOM3.0 standard and windows based platform
- Easy to use and easy to learn
- Patient registration and supporting work-list
- Image processing modes for different studies (DICOM transfer)
- Image manipulation : Window level, Zoom, Pan, Crop, Invert, Rotation. Etc.
- Database : Query, Convert/Export, Insert and Archive
- Print, Reset, Delete, Swap and Configuration



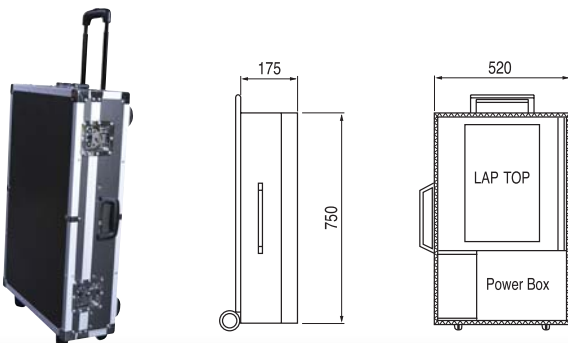
Work Station (LAPTOP)

- O.S : Window XP Professional SP2
- CPU : Intel Core2 Duo
- Memory : 2GB
- Hard disk : 250GB
- Display size : 1600x900
- Optical drive : CD-RW & DVD
- Graphic card : 256MB



Portable Case

- Water and dust resistant aluminum case.
- Luggage handle and wheels for easy movement.
- Conveniently and securely holds detector and laptop.



Generator (Portable)

- Rating : AC110V~ or AC220V~, 50/60Hz, Single Phase
- Max. output power : 1.44kW
- Rating : kV:40~90kV(1kV increment), mA:14~20mA
- X-ray tube : Focal spot size : 2.0mm
- Target angle : 19 °
- Weight : Approx. 6 kg
- Dimensions : 144(W) X 295(D) X 157(H) mm



Grid & Accessories

Detector holder with Anti-Scatter Grid

Ratio	8:1
Frequency	85lines/cm
Type	stationary / removable
Focal Distance	100cm

Detector Positioning Bar

Light and durable aluminum construction.
Easily removed and disassembled for storage.

Foot Board

Light weight polycarbonated construction absorbs radiation naturally.

Upgrade to digital radiography and get the best image with JPI's ClearVision DR 9000F Flat Panel Imaging Technology. Acquiring, diagnosing, searching and presenting great radiological images is easier and quicker than ever with the ClearVision DR 9000F.