

PORTABLE X-RAY SYSTEM

LIGHT WEIGHT, COMPACT & POWERFUL

Value
Plus+
by **TXR**



SPL-HF-4.0/8.0
4 or 8 kW HF Generator



**HF 300 kHz Operates on Single Phase Power
Two Point Operation, kVp and mAs Selection**



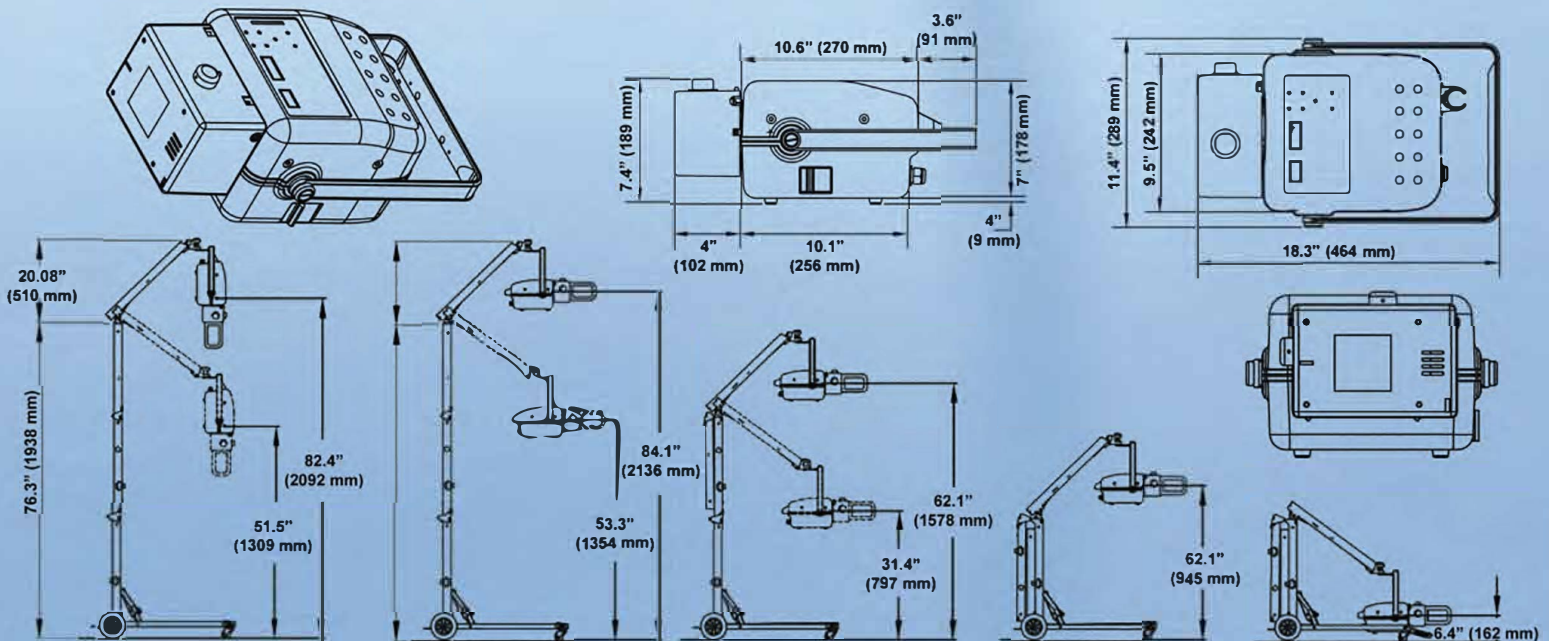
**Optional Portable Folding
Stand and Carrying Case**



PORTABLE X-RAY SYSTEM

SPECIFICATIONS	HIGH FREQUENCY X-RAY GENERATORS
MODELS	SPL-HF-4.0 / SPL-HF-8.0
kW RATING	4.0 / 8.0
kVp RANGE in 1 kVp STEPS accuracy	40 to 125 +/- 5%
HIGH FREQUENCY RIPPLE	300 kHz
mA STATIONS	5, 6.4, 8, 10, 12.5, 16, 20, 25, 32, 40, 50, 64, 80, 100
EXPOSURE TIME RANGE	0.001 - 10 seconds
NUMBER OF STATIONS	41 (in 25% steps)
mAs RANGE	0.1 - 250 mAs
NUMBER OF STATIONS accuracy	34 (in 25% steps) 5%
OPTIONAL APR	1 Region
X-RAY TUBE Stationary Anode TWO Focal Spots Anode Heat Storage Capacity Target Angle	0.6 mm - 1.5 mm / 0.6 mm - 2.8 mm 40.000 HU / 76.000 HU 14° / 14°
LASER LIGHT COLLIMATOR	OPTIONAL
POWER CORD	19.7 ft. (6 meters)
EXPOSURE CORD	9.8 ft. (3 meters)
LINE REGULATION	Single-Phase Line Automatic Regulation AUTOMATIC OUTPUT POWER ADAPTATION TO POWER LINE CONDITIONS
LINE POWER REQUIREMENTS +/- 10% VAC (50/60Hz)	110VAC, 35 amps / 220VAC, 20 amps for full power – Can be de-rated
WEIGHT	Portable Generator 33 lbs. (15 Kg) · Portable, Folding Stand 61.7 lbs (28 Kg)

DIMENSIONS



RAYTECH DIAGNOSTICS

<https://www.raytechdiagnostics.com/>
sales@raytechdiagnostics.com
 613-799-4171

