

DRAGON X SPSL-HF-4.0/8.0 APAL

LEADER IN PORTABILITY AND POWER

Value
Plus+
by **TXR**



Standard 6 Region APR

Optional DR
Flat Panel
with Laptop



NEW LIGHT WEIGHT DESIGN

- Powerful 100 mA., 125 kVp
- 4 kW or 8 kW HF Generator
- LED Collimator
- Exceptional Arm Mobility
- Activate Collimator Light from 5 Locations
- Fractional Focal Spot Tube for Greater Detail
- Technique Selection at Touch Screen Panel or at Tube



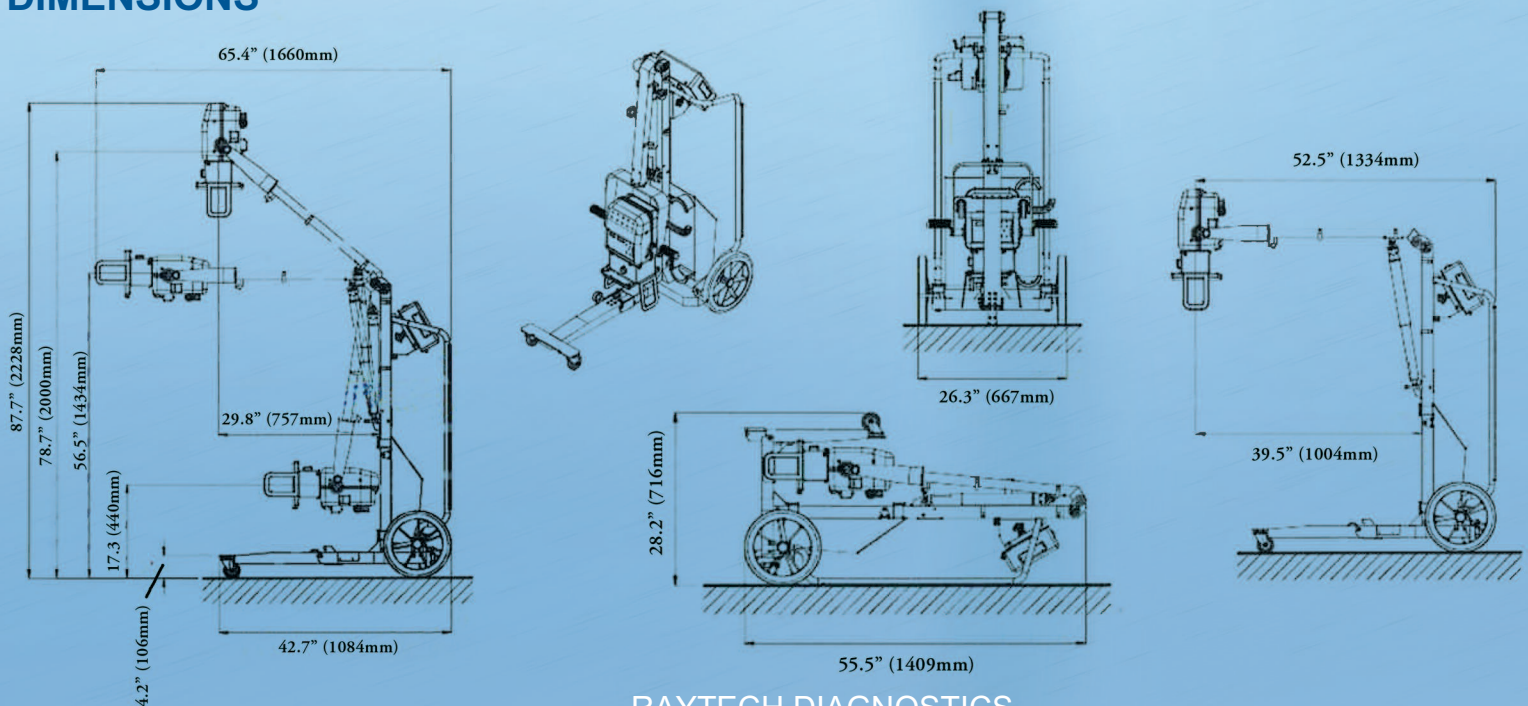
Optional DR Flat Panel
with Touch Screen



PORTABLE X-RAY SYSTEM

SPECIFICATIONS	HIGH FREQUENCY X-RAY GENERATORS
MODELS	SPSL-HF4.0APAL / SPSL-HF8.0APAL
kW RATING	4.0 / 8.0
kVp RANGE in 1 kVp STEPS accuracy	40 to 125 +/- 5%
HIGH FREQUENCY RIPPLE	300 kHz
mA STATIONS	5, 6.4, 8, 10, 12.5, 16, 20, 25, 32, 40, 50, 64, 80, 100
EXPOSURE TIME RANGE	0.001 - 10 seconds
NUMBER OF STATIONS	41 (in 25% steps)
mAs RANGE	0.1 - 250 mAs
NUMBER OF STATIONS accuracy	34 (in 25% steps) 5%
APR	Over 400 views (Skull, Thorax, Spine, Abdomen/Pelvis, Lower & Upper Extremities/ Small, Medium, Large and Pediatric Patient Sizes)
USER FRIENDLY MULTI LANGUAGE SELECTION	English, Spanish, French, German, Russian, Polish and Turkish
X-RAY TUBE Stationary Anode TWO Focal Spots Anode Heat Storage Capacity Target Angle	0.6 mm - 1.5 mm / 0.6 mm - 2.8 mm 40.000 HU / 76.000 HU 14° / 14°
LASER LIGHT COLLIMATOR	Optional on 4.0 – Standard on 8.0
POWER CORD	19.7 ft. (6 meters)
EXPOSURE CORD	9.8 ft. (3 meters)
LINE REGULATION	Single-Phase Line Regulation OUTPUT POWER ADAPTATION TO POWER LINE CONDITIONS
LINE POWER REQUIREMENTS +/- 10% VAC (50/60Hz)	120 VAC - 240 VAC / 220 VAC - 240 VAC 4.0 requires solid 20 amp breaker on 120V line for full power—8.0 requires 220-240 VAC
WEIGHT	102.5 lbs. (46.5 Kg)

DIMENSIONS



RAYTECH DIAGNOSTICS
<https://www.raytechdiagnostics.com/>
sales@raytechdiagnostics.com
 613-799-4171