

X MIND unity

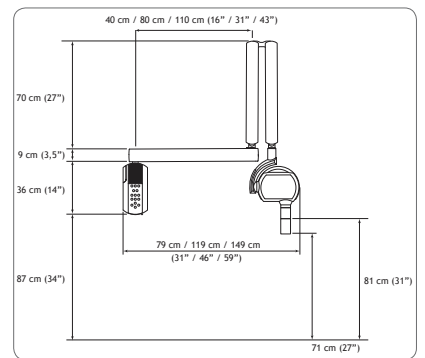
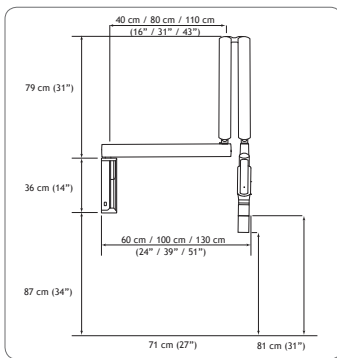
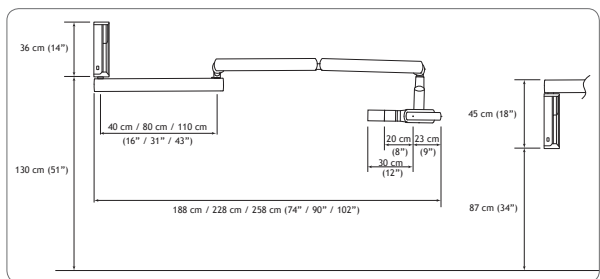
Technical specifications

Classification	Class 1 type B
Supply voltage	100-240 V
Maximum power	850 VA
X-ray tube	TOSHIBA D-041
Frequency	50/60 Hz
Focal spot	0.4 mm
Total filtration	>1.5 mm Al @ 70 kV
Leakage radiation	< 0.25 mGy / h
Cooling duty cycle for 1 s	32 s
Technology	High frequency DC
Maximum anode current	7 mA
X-ray tube voltage.....	60/65/70 kV
Maximum exposure time	2 s
Compatibility	Film, phosphor plate, digital sensor
Weight	23 kg
Configuration	Wall mounting top and bottom
Timer	Microprocessor controlled



Accessories

Circular cone Ø 60 mm	20 cm (8") or 30 cm (12")
Rectangular cone 45 x 36 mm	20 cm (8")
Arm extension	0.40 m, 0.80 m, 1.10 m
SOPIX Inside	Size 1, Size 2
Adaptable mounting wall plate	
Remote exposure switch	



The X-Mind™ Unity can accommodate any operatory configuration. 3 arm lengths are available: 0.40 m, 0.80 m, 1.10 m and can be top or bottom mounted. With its adaptable wall plate, it is easy to replace an older generator with the X-Mind™ Unity without having to do additional drilling on the wall.

Manufactured in compliance with currently applicable regulations and standards (EC Directive 93/42/EEC and sub-segment amendment). IEC 60601-2-65 imposes for each x-ray generator furnished with a digital sensor to use a square cone.

ACTEON North America • 124 Gaither Drive, Suite 140 Mount Laurel, NJ 08054
Tel - (800) 289 6367 • Fax - (856) 222 4726
info@acteonusa.com • www.acteonusa.com



Distributed By:

Phone - (908)-336-8790
jmerritt@dentalfocus.biz
www.dentalfocus.biz

The future of X-ray is here



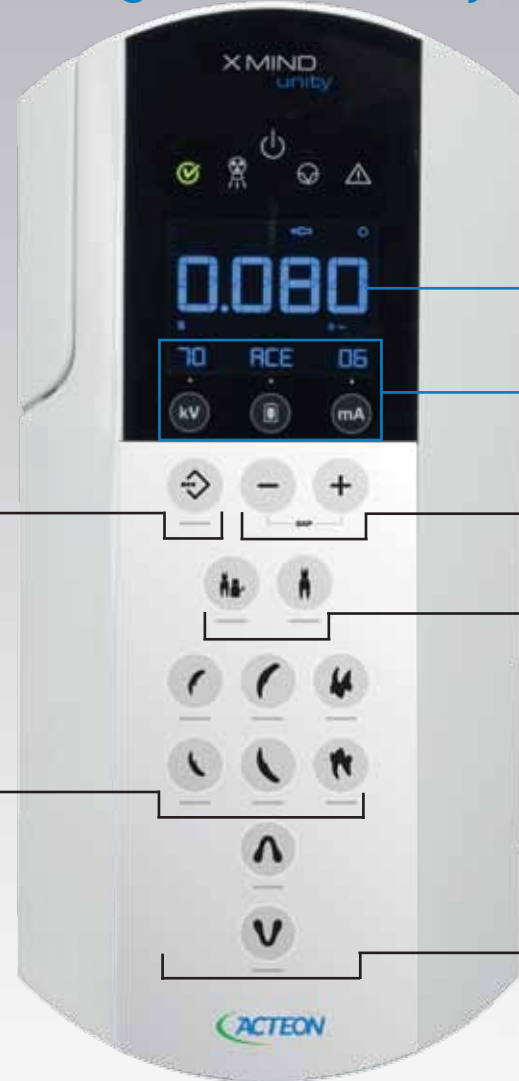
Lower dose of radiation!

Ergonomic and Easy

Quality Design

ACTEON® SATELEC® has developed X-Mind™ Unity with:

- uncompromising design
- proven quality
- superior materials
- unique technological advantages



CLEAR AND LARGE LCD SCREEN to easily see the main parameters

Displays **THE PARAMETERS** kV, mA, type of film and ACE selection (SOPIX Inside)

THE DOSE IS DISPLAYED when simultaneously pressing the buttons “-” and “+”

Select the **PATIENT MORPHOLOGY** Dog / Small Dog or Cat

SELECT THE EXAM TYPE occlusal or bitewing

MEMORY FUNCTION Modify the pre-programmed exposure times to adapt to the specifications of your sensor or film

EXPOSURE PARAMETERS are adjusted according to the type of tooth - (incisor, premolar, molar)

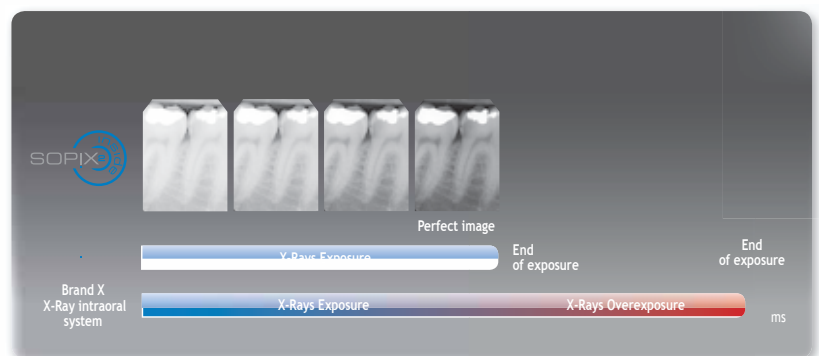


SOPIX Inside

SOPIX Inside enables integration without any visible cables. SOPIX Inside connects effortlessly to the X-Mind™ Unity without technical assistance. Plug and Play!

Traceability

The dose received by the patient after each exposure appears on the timer's screen. With SOPIX Inside, this dose is also recorded in the patient's file in SOPRO® Imaging ensuring permanent traceability.



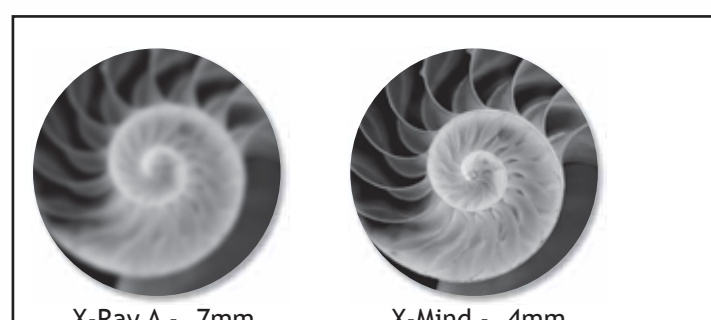
Less radiation

With patented ACE technology, over-exposed images are eliminated. Regardless of the amount of radiation emitted by the generator, the SOPIX Inside sensor only uses the optimal dose required for a quality image. This technology applied to X-Mind™ Unity allows the SOPIX Inside sensor to start and stop the generator avoiding all risk of over exposing the image and patient eliminating unnecessary re-takes of acquisitions. The patient only receives the necessary and adapted dose to his dental morphology.



Fluid and stable

You can single-handedly position and stabilize X-Mind™ Unity. Adjustment of the X-Mind™ Unity is effortless. The anti-vibration and anti-movement mechanism ensures drift free positioning during an exposure.



Sharp and contrasted images

The X-Mind™ Unity has a 0.4 mm focal spot. Several configurable radiological settings:

- Voltage (60, 65 and 70 kV)
- Current (from 4 to 7 mA)

These parameters ensure a sharp and contrasted image with defined contours