



Podiatric 15HF Radiographic X-Ray

15HF Features:

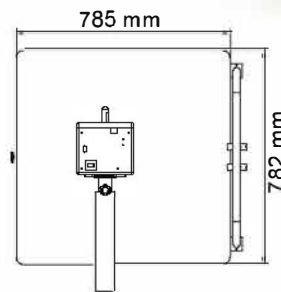
- ✓ Compact design and strong performance
- ✓ Light and easy movement
- ✓ Wireless control console
- ✓ Kv, mAs adjustment available both in the unit itself and by control console
- ✓ Minimum operation error by gas lifting movement
- ✓ PROM APR memories for 8 selection of L.M.S. size each (total 24 memories)
- ✓ 100 KHz HF Inverter type Generator

Technical Specifications:

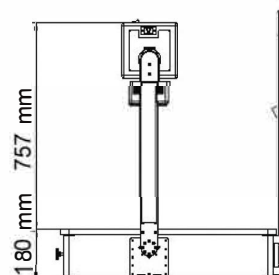
Output Power		1.2KW		
Input Power	Voltage	100 V-120V / 220V-240V		
	Phase & Frequency	Single, 50/60 Hz		
Radiography KV Range in 1KV steps		Tube voltage	current	mAs
		50KV ~ 54KV	15mA	0.3 ~ 30
		55KV ~ 64KV	15mA	0.4 ~ 25
		65KV ~ 74KV	15mA	0.3 ~ 16
		65KV ~ 74KV	11mA	0.3 ~ 22
		75KV ~ 80KV	15mA	0.3 ~ 13
mAs Range		0.4mAs – 30mAs, 31steps		
Max. KV accuracy		±3 %		
Max. mAs Deviation		±5 %		
Display		OP : LCD, CONT: 7-segment LED		
X-ray Tube	Model	SXR-80-14-10P SUPERIOR		
	Focal Spot Size	1.0mm x 1.0mm		
	Target Angle	14 degree		
	Anode Heat Storage	7 kHU		
	Heat Dissipation	50 HU/sec		
Total Filtration		2.5 mm Al eq. @ 80kV		
Collimator with Laser Pointer	Type	Double slit type, manual operation		
	Min. X-ray Field Size	5cm x 5cm @1m SID		
	Max X-ray Field Size	35cm x 35cm @ 65cm SID		
	Timer	Push button illuminator with 30 sec timer		
Lamp		24V, 150W Halogen		



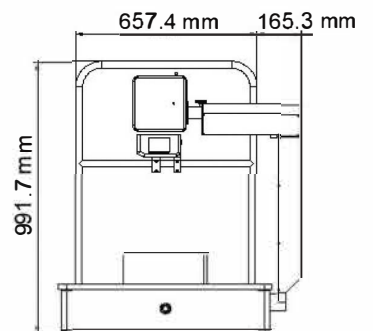
Top View



Side View



Front View



DISTRIBUTED BY:

RAYTECH DIAGNOSTICS
<https://www.raytechdiagnostics.com/>
sales@raytechdiagnostics.com
 613-799-4171